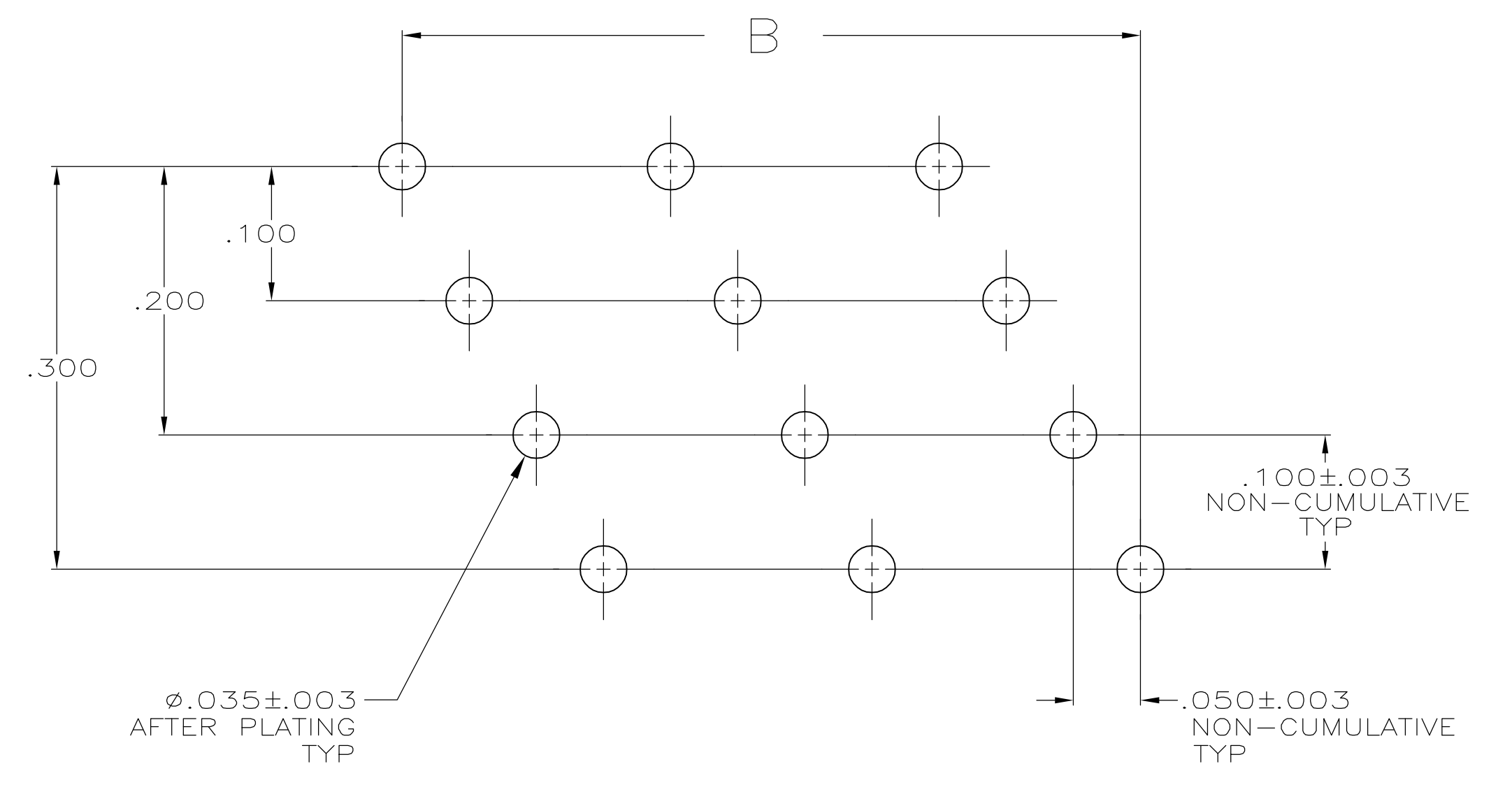
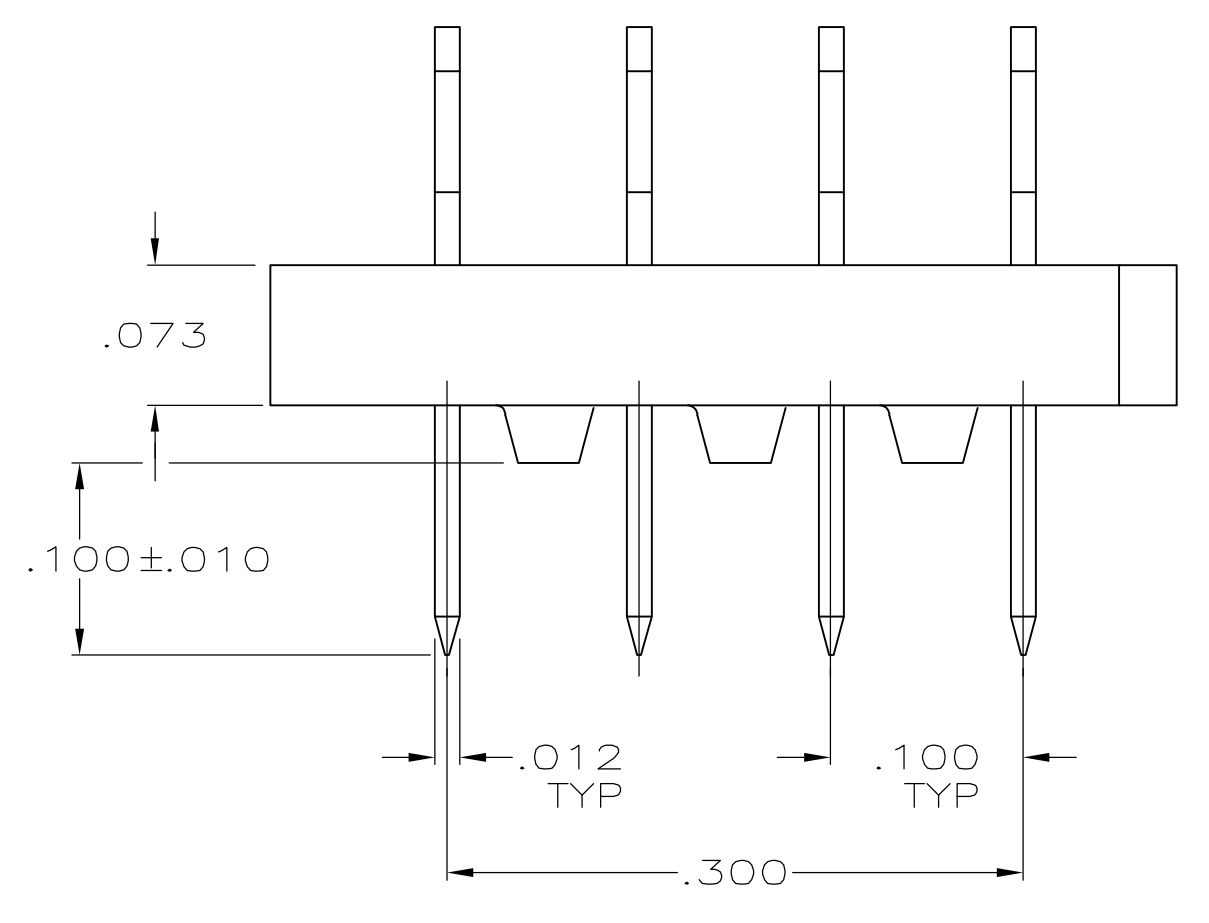
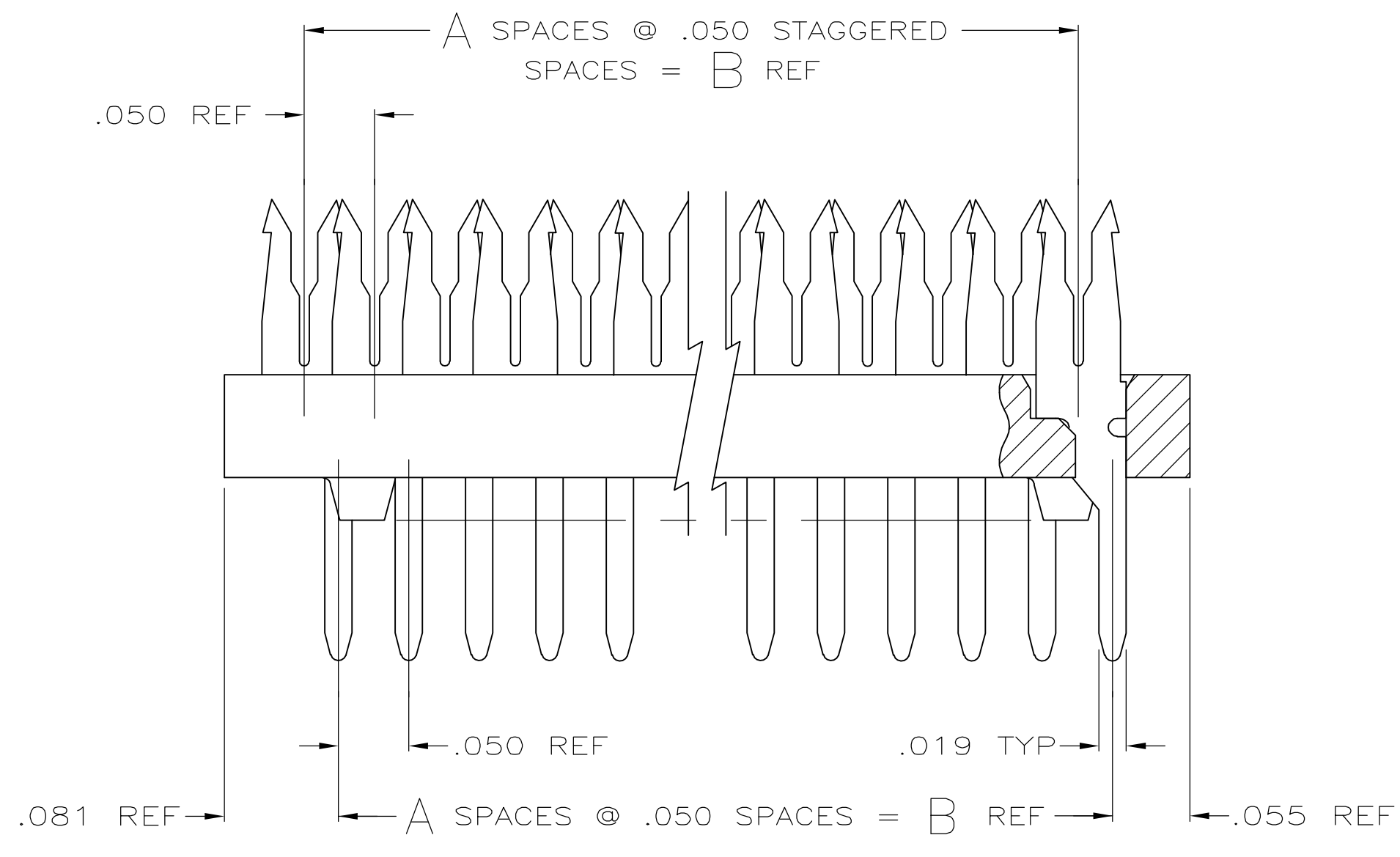


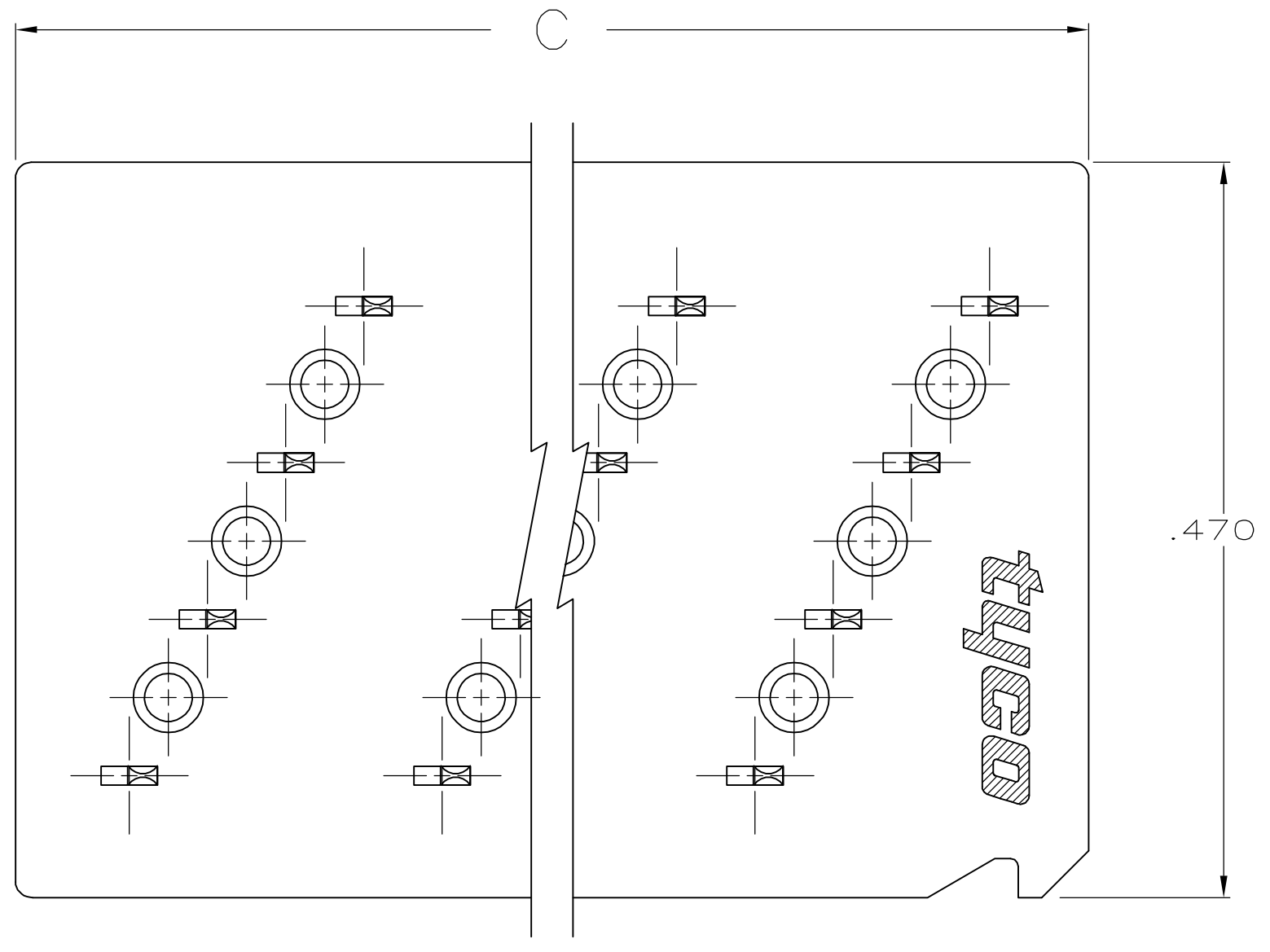
LOC	DIST	REVISIONS				
DF	FO	REV	PER	DATE	BY	APP'D
		G	REV PER	04-05	AA	DH
			0H14-0903-04			

- ALL PARTS ASSEMBLED BY TYCO ELECTRONICS CORP.
- STANDOFFS: POSN 12 (9) STANDOFFS AS SHOWN.  
 POSN 16 (12) STANDOFFS, 3 PER DIAGONAL ROW.  
 POSN 20 (15) STANDOFFS, 3 PER DIAGONAL ROW.  
 POSN 24 (18) STANDOFFS, 3 PER DIAGONAL ROW.  
 POSN 28 (21) STANDOFFS, 3 PER DIAGONAL ROW.  
 POSN 32 (24) STANDOFFS, 3 PER DIAGONAL ROW.  
 POSN 36 (27) STANDOFFS, 3 PER DIAGONAL ROW.  
 POSN 40 (30) STANDOFFS, 3 PER DIAGONAL ROW.  
 POSN 44 (33) STANDOFFS, 3 PER DIAGONAL ROW.  
 POSN 48 (36) STANDOFFS, 3 PER DIAGONAL ROW.  
 POSN 52 (39) STANDOFFS, 3 PER DIAGONAL ROW.  
 POSN 56 (42) STANDOFFS, 3 PER DIAGONAL ROW.  
 POSN 60 (45) STANDOFFS, 3 PER DIAGONAL ROW.

- FLAME RETARDANT, 94 V-0 RATED, GLASS FILLED, NYLON OR POLYESTER, COLOR: BLACK.
- FINISH: BRIGHT TIN-LEAD .000100-.000200 THK OVER NICKEL .000050 MIN THK.
- FINISH: BRIGHT TIN .000100-.000200 THK OVER NICKEL .000050 MIN THK.



RECOMMENDED HOLE LAYOUT



△	3.086	2.950	59	60	6-111356-3
△	2.086	1.950	39	40	5-111356-8
△	1.286	1.150	23	24	5-111356-4
△	1.086	.950	19	20	5-111356-3
△	.886	.750	15	16	5-111356-2
△	3.086	2.950	59	60	1-111356-3
OBSOLETE △	2.886	2.750	55	56	1- -2
OBSOLETE △	2.686	2.550	51	52	1- -1
OBSOLETE △	2.486	2.350	47	48	1- -0
OBSOLETE △	2.286	2.150	43	44	-9
△	2.086	1.950	39	40	-8
OBSOLETE △	1.886	1.750	35	36	-7
OBSOLETE △	1.686	1.550	31	32	-6
OBSOLETE △	1.486	1.350	27	28	-5
△	1.286	1.150	23	24	-4
△	1.086	.950	19	20	-3
△	.886	.750	15	16	-2
OBSOLETE △	.686	.550	11	12	111356-1
FINISH	C	B	A	NO OF POSN	PART NUMBER

THIS DRAWING IS A CONTROLLED DOCUMENT.

DIMENSIONS: INCHES	TOLERANCES UNLESS OTHERWISE SPECIFIED:	DWG: S. WELDON 23-FEB-86	CHK: W. LENKER 23-FEB-86	DATE: 24-FEB-86	NAME: W. VISSELLI	APPROVAL: [Signature]	TYCO ELECTRONICS CORPORATION	HARRISBURG, PA 17105-3608
0 PLC ± -	1 PLC ± -	2 PLC ± -	3 PLC ± .005	4 PLC ± -	ANGLES ± 0°30'	MATERIAL MOLDED PARTS: △	CONTACTS △	FINISH △
SIZE: A1	SCALE: 10:1	CAGE CODE: 00779	DRAWING NO: 111356	REV: 1	SHEET: 1 OF 1	REV: G	CUSTOMER DRAWING	

ASSEMBLY, PADDLEBOARD, FULL ROW  
 .100 LONG POSTS, FULL TIN PLATED CONTACTS  
 AMP-LATCH